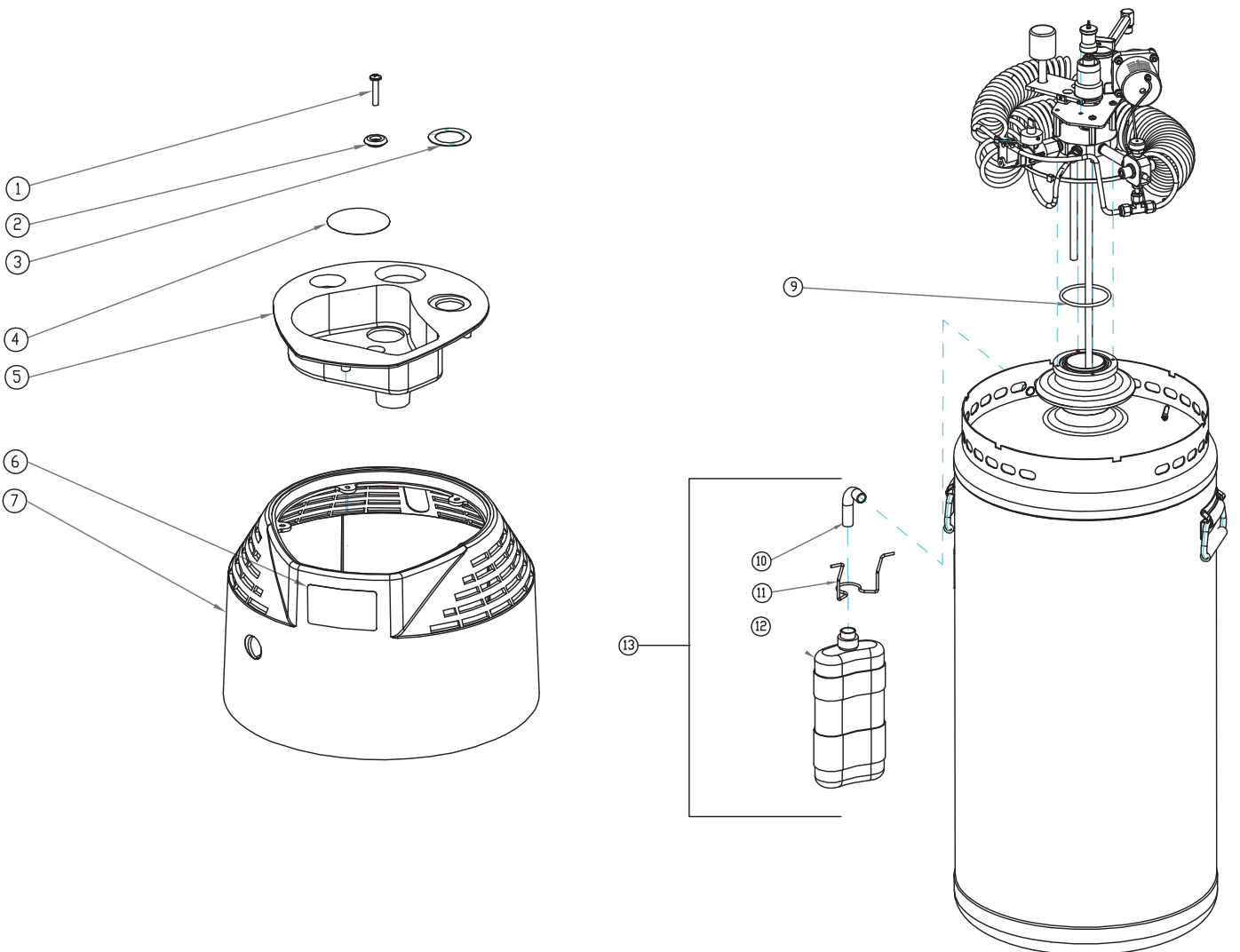
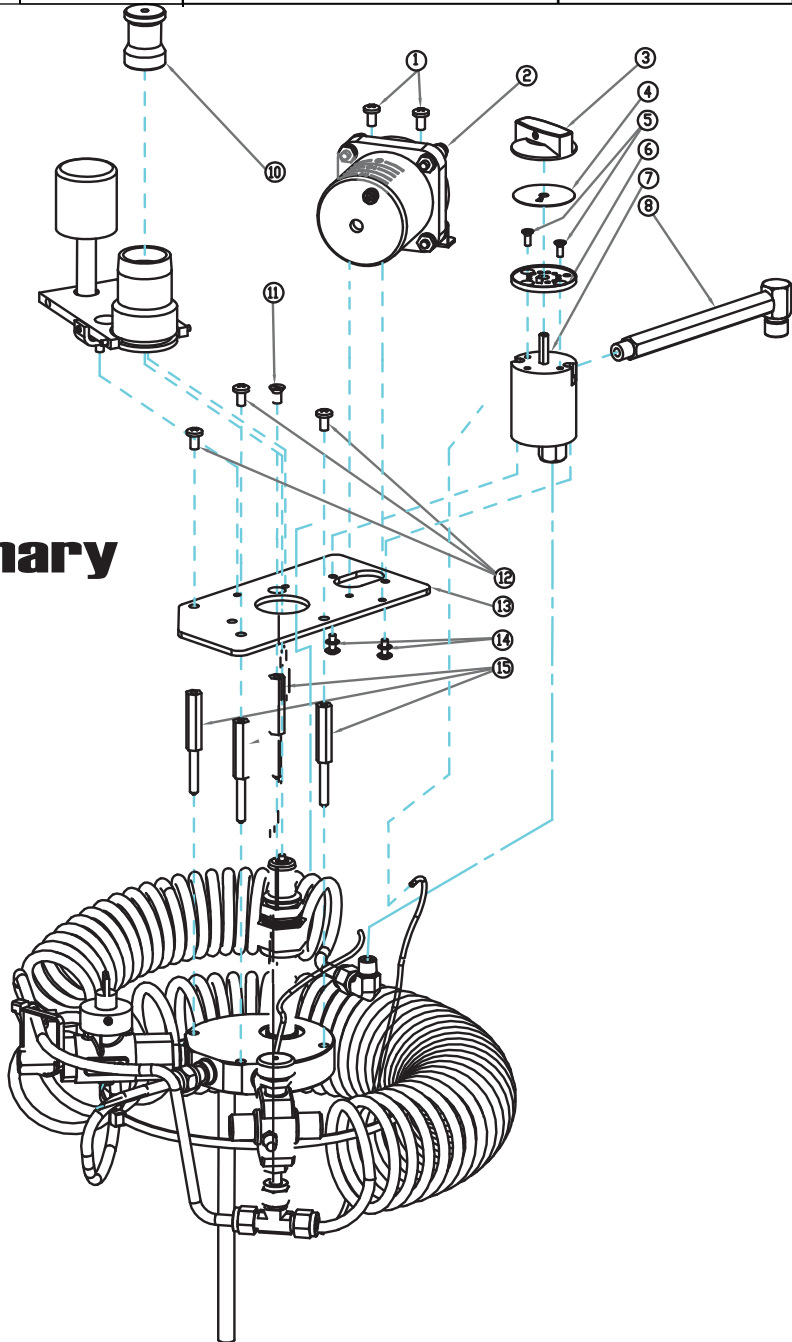


Companion Stationary Shroud Assy.

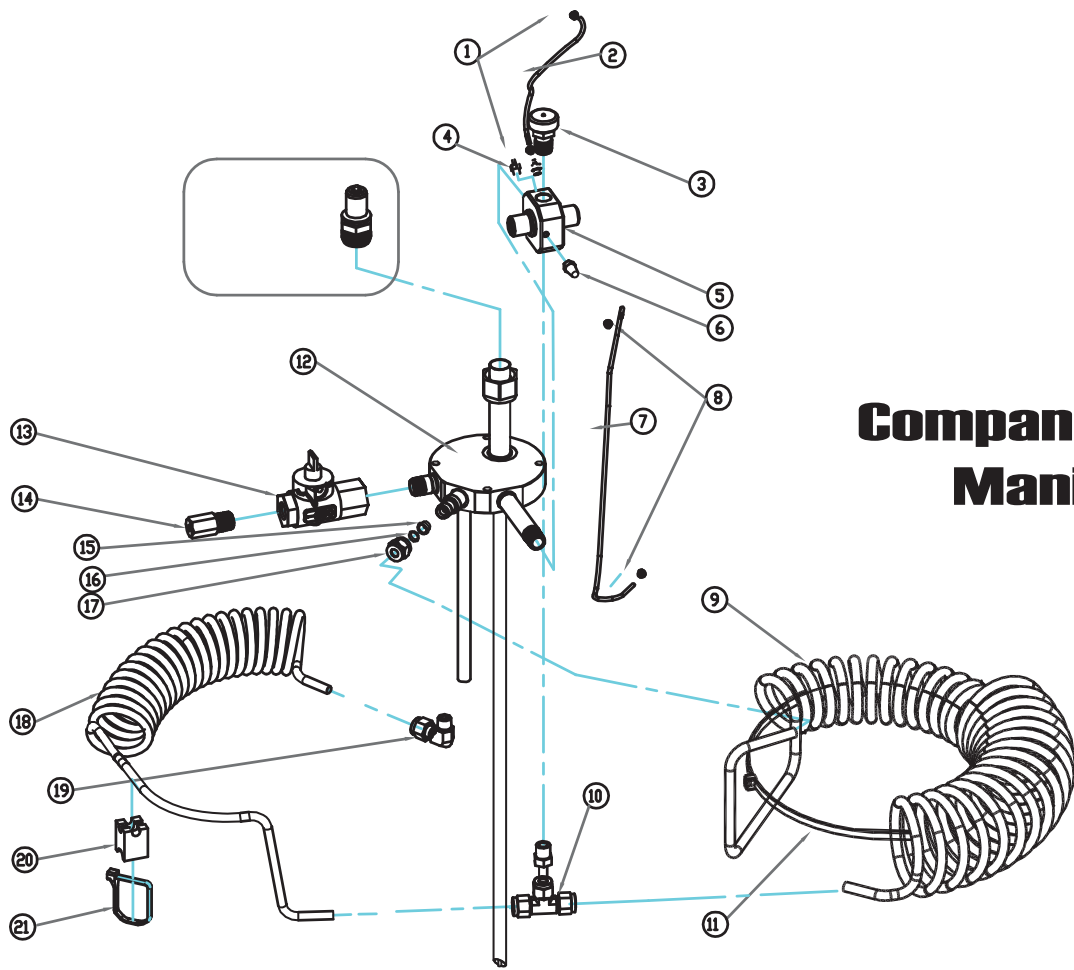
| | Man. Part # | Pioneer # | Description |
|----|-------------|-----------|---|
| 1 | B-701002-00 | P313 | Shroud Screw |
| 2 | B-778979-00 | P314 | Shroud Washer |
| 3 | B-778436-00 | P303 | Window Decal |
| 4 | B-775104-00 | P302 | Bezel Decal |
| 5 | B-776080-00 | P330 | Bezel |
| 6 | B-776252-00 | P304 | Shroud Decal |
| 7 | B-775101-00 | P328 | Shroud |
| 9 | B-775132-00 | P336 | Manifold O-Ring |
| 10 | B-701359-00 | P345 | Drain Bottle Elbow |
| 11 | B-701360-00 | P317 | Bottle Bracket |
| 12 | B-701320-00 | P347 | Drain Bottle |
| 13 | B-701362-SV | P348 | Drain Bottle Kit. (Includes P345,P317,P347) |



| | Man. Part # | Pioneer # | Description |
|----|-------------|-----------|--|
| 1 | B-775117-00 | P319 | Gauge Screw #10-24 x 3/8 |
| 2 | B-775845-SV | P323 | 21A Gauge |
| 2 | B-775846-SV | P322 | 31A Gauge |
| 2 | B-775847-SV | P321 | 41A Gauge |
| 3 | B-776168-00 | P860 | 12 Position Knob |
| 4 | B-775834-00 | P851 | 0-6 LPM Number Disc |
| 4 | B-775835-00 | P852 | 0-10 LPM Number Disc |
| 5 | B-775074-00 | P862 | FCV Screw |
| 6 | B-775877-00 | P861 | 12 Position Locking Plate |
| 7 | B-775855-00 | P809 | 0-6 LPM Flow Control Valve |
| 7 | B-776140-SV | P810 | 0-10 LPM Flow Control Valve |
| 8 | B-775314-00 | P307 | Humidifier Adapter |
| 10 | 15075347 | P394 | Dust Cap |
| 11 | B-775116-00 | P342 | Manifold Plate Screw #10-24 UNC x 3/8" |
| 12 | B-775117-00 | P343 | Manifold Plate Screw # 10-24 x 3/8" |
| 13 | B-775110-00 | P320 | Manifold Plate |
| 14 | B-775176-00 | P196 | FCV Bottom Screw 6-32 x 3/8" |
| 15 | B-775108-00 | P344 | Manifold Screw Spacers |



Companion Stationary Plumbing

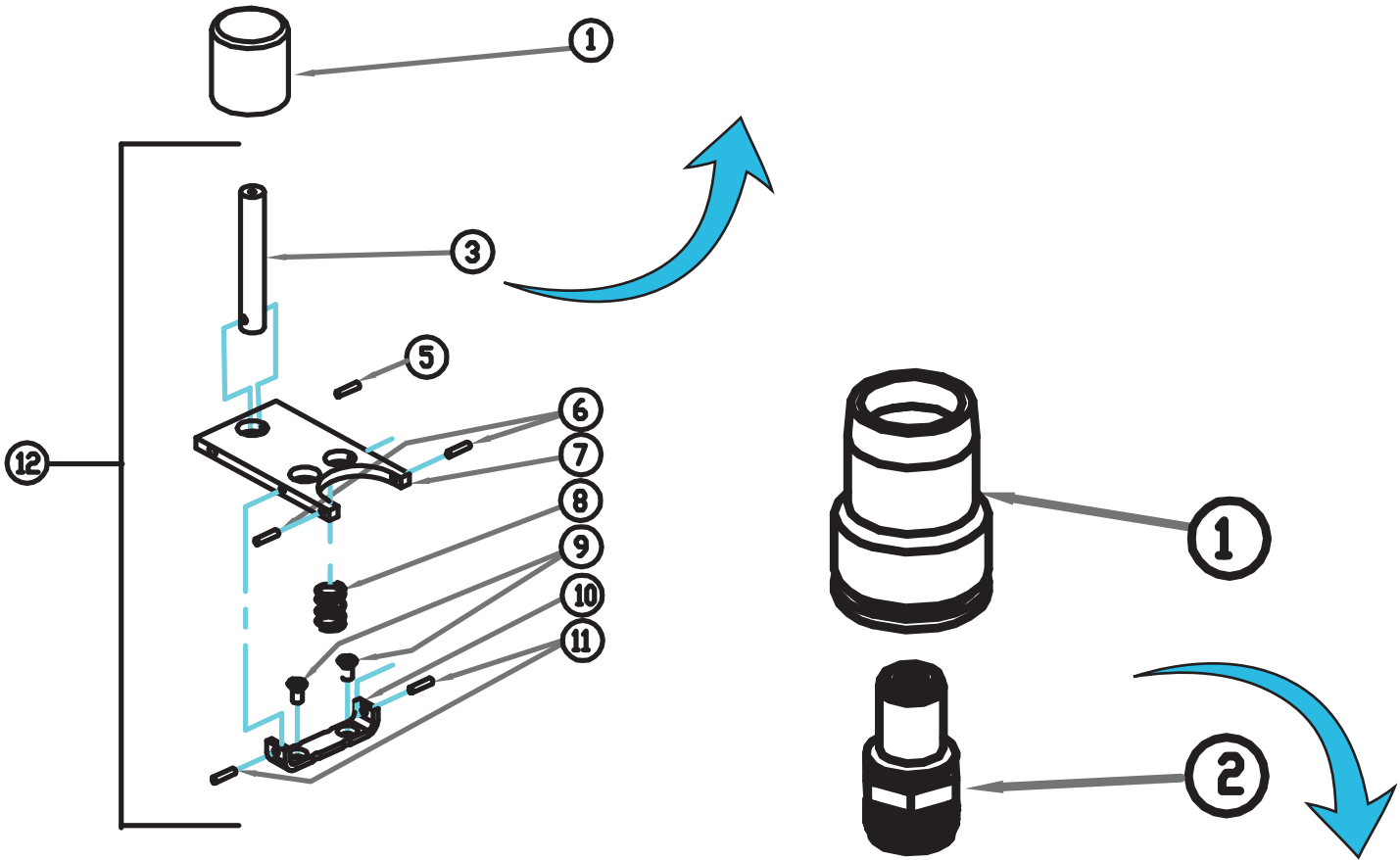


Companion Stationary Manifold Assy.

| | Man. Part # | Pioneer # | Description |
|----|--------------|-----------|-------------------------------|
| 1 | B-775794-00 | P357 | Hose Clamp |
| 2 | 20537653S | P316 | Economizer Valve Hose |
| 3 | B-775139-00 | P306 | Secondary Relief Valve 30 PSI |
| 4 | B778167-00 | P399 | Hose Barb Fitting .050 |
| 5 | 10002368 | P318 | Relief Economizer Valve |
| 6 | 20590844 | P399 | Muffer |
| 7 | B-775856-SV | P361 | Sensor Line 12" |
| 8 | B-775794-00 | P357 | Hose Clamp |
| 9 | 15055709-SV | P335 | Warming coil |
| 10 | 15055688-SV | P334 | ¼" "T" Adapter |
| 11 | CA403730 | P699 | Zip Tie |
| 14 | B-775329-00 | P340 | Vent Valve Silencer |
| 15 | 11020621 | P280 | O-Ring Vent Valve |
| 16 | B-775063-00 | P209 | ¼" Brass Ferrule |
| 17 | B-775265-00 | P208 | ¼" Brass Nut |
| 18 | 15055725-SV | P333 | Breathing Coil |
| 19 | 15069721 | P659 | ¼" Brass Elbow |
| 20 | 10023694-SV | P394 | Foam Spacer |
| 21 | CA403730 | P699 | Zip Tie |
| | Not Pictured | P305 | Primary Relief Valve 22 PSI |

Quick Release Assy.

| | Man. Part # | Pioneer # | Description |
|----|-------------|-----------|-------------------------------------|
| 1 | B-775113-00 | P365 | Quick Release Knob |
| 3 | B-775112-00 | P364 | Quick Release Rod |
| 5 | B-775115-00 | P363 | Pin Spring 1/8" x 1" SS |
| 6 | B-775114-00 | P387 | Pin Spring 1/8" x 1/2" SS |
| 7 | B-775111-00 | P362 | Quick Release Lever |
| 8 | B-775118-00 | P361 | Quick Release Spring |
| 9 | B-775116-00 | P360 | Quick Release Screw 10-24 UNC x 3/8 |
| 10 | B-775109-00 | P359 | Quick Release Bracket |
| 11 | B-775114-00 | P387 | Pin Spring 1/8" x 1/2" SS |
| 12 | B-775106-SV | P315 | Quick Release Assembly |



| | Man. Part # | Pioneer # | Description |
|---|-------------|-----------|----------------------|
| 1 | B-775107-00 | P358 | Quick Release Sleeve |
| 2 | 15101621 | P308 | Male Quick Connect |