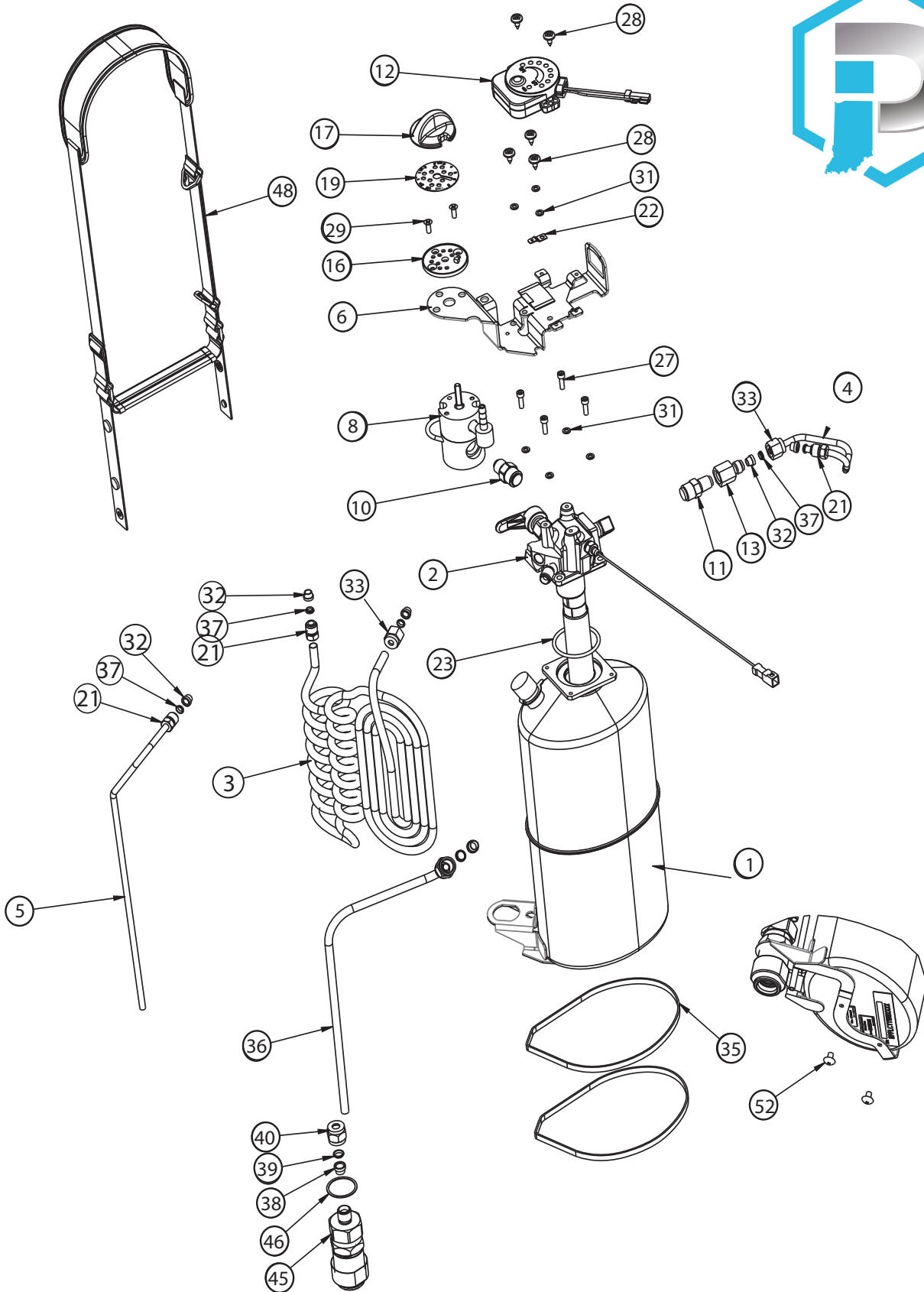


Caire Stroller Top Fill

Description	Pioneer #	Man. Part #
Top Label - All Languages	P605	13734741
Bottom Label - English	P603	13657677
Service Case Assy - Blue - G4	P685	14015570
Service Case Assy - Blue - G4 - Wide	P687	14015617
Dome Cover - Blue - Meter	P688	12932526
Dome Cover - Blue - Scale	P690	11199511
Screw, Top Cover #6-32*3/8 SS	P731	CA002305
Soft Black Leather Cover	P689	20705331

	Description	Pioneer #	Man. Part #
1	Dewar	P732	11033861
3	Vaporizer Coil	P652	11891064
4	PRV Tube	P643	10656185
5	Vent Outlet Tube	P644	10656134
6	Top Bracket	P735	10861576
8	FCV (0-6LPM)	P830	11014521T
10	27.0 – 33.0 PSI SRV	P661	10491253T
11	19.7 – 20.6 PSI PRV w/screen	P662	10528423
12	Gen4 Meter	P634	13352401
13	PRV Filter Assembly	P212	10932098
16	Lock Plate, FCV	P881	CA406438
17	Knob, FCV	P882	10542153
19	Flow Rate Decal, FCV (0-6LPM)	P866	CA406436
21	Feed-Thru Fitting	P601	CA404841
22	Ground Terminal, #8 spade	P678	10597904
23	O-Ring, Manifold	P736	10579423
27	Screw, Manifold #6-32*7/16 SS	P737	CA404853
28	Screw, Bracket/Meter #6-32*3/8 SS	P731	CA002305
29	Screw, FCV #6-32*1/2 SS	P824	CA002876
31	Lock Washer, Bracket/Manifold #6 SS	P633	CA404996
32	Ferrule, 3/16 Front	P209	CA006191
33	Nut, Tube 3/16	P208	CA006292
35	Strap, Vaporizer Coil	P699	CA403730
36	Fill Tube, QDV	P640	10656118
37	Ferrule, 3/16 Rear	P209	CA006192
38	Ferrule, 1/4 Front	P211	CA405072
39	Ferrule, 1/4 Rear	P211	CA405074
40	Nut, Tube 1/4	P210	10760273
45	QDV, PB Top Fill Portable	P664	10566420T
48	Shoulder Strap	P612	13234703
52	Screw, Case #8-32*1/4 SS	P738	10621986
53	Rubber Lip Seal	P750	



	Description	Pioneer #	Stroller TF
1	Condensate Pad	P675	10542209
2	Condensate Cup - Blue	P694	10542057
4	Wide Side Cover Includes Case Bottom	P687	14015617
6	Top Cover - Blue	P692	10564310
6	Top Cover - Blue - Wide	P693	11668313
15	Top Fill Case Plug	P682	10564361
8	Grommet, Condensate Cup	P696	CA110033
9	Plunger, Condensate Cup	P695	CA110034
	Soft Black Leather Cover	P689	20705331

