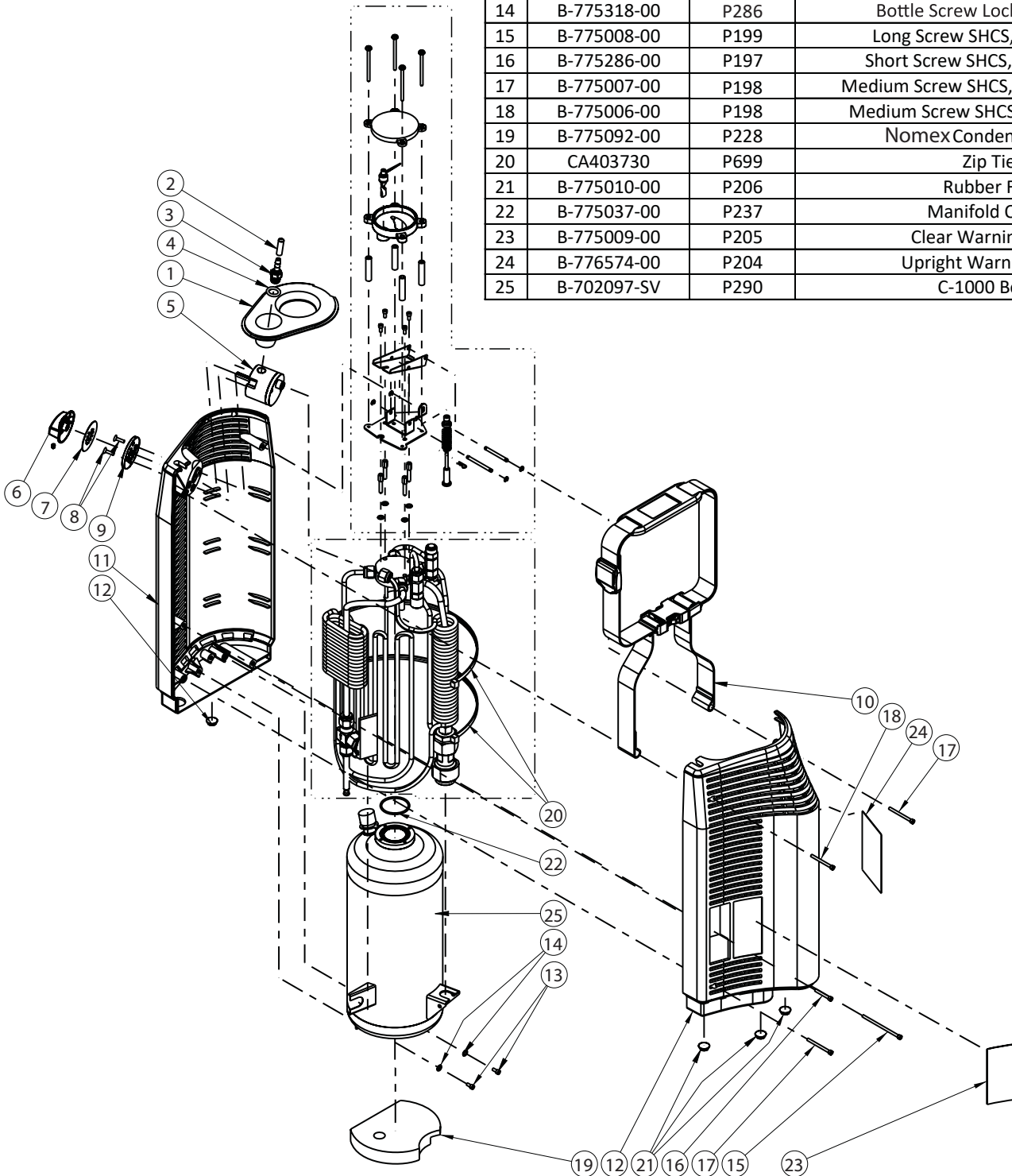


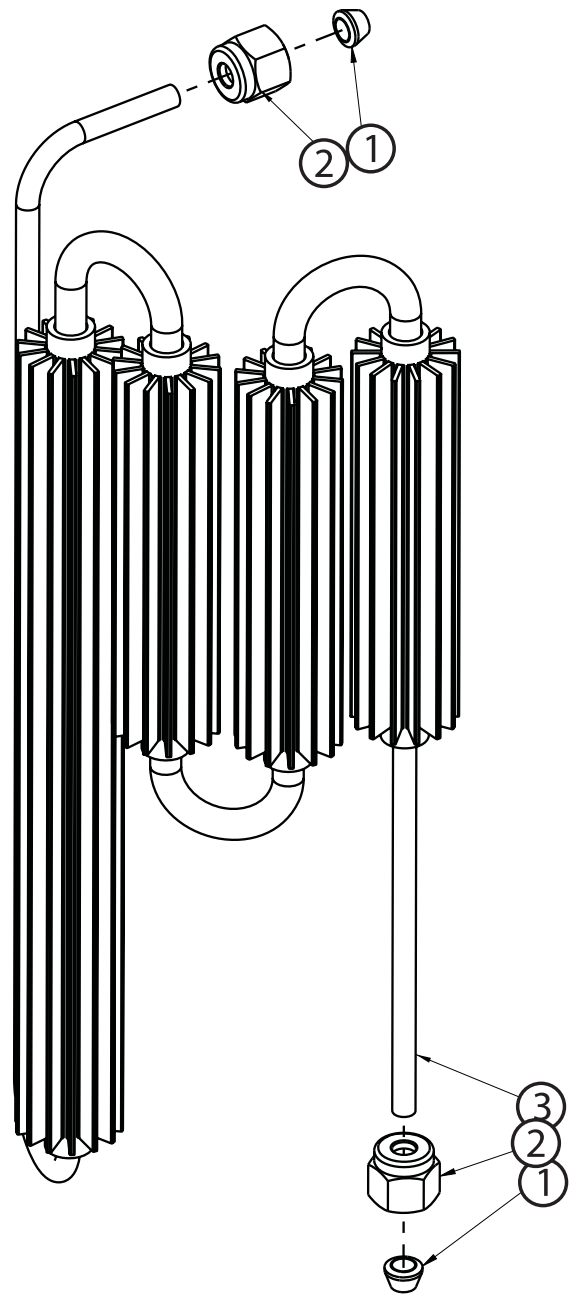
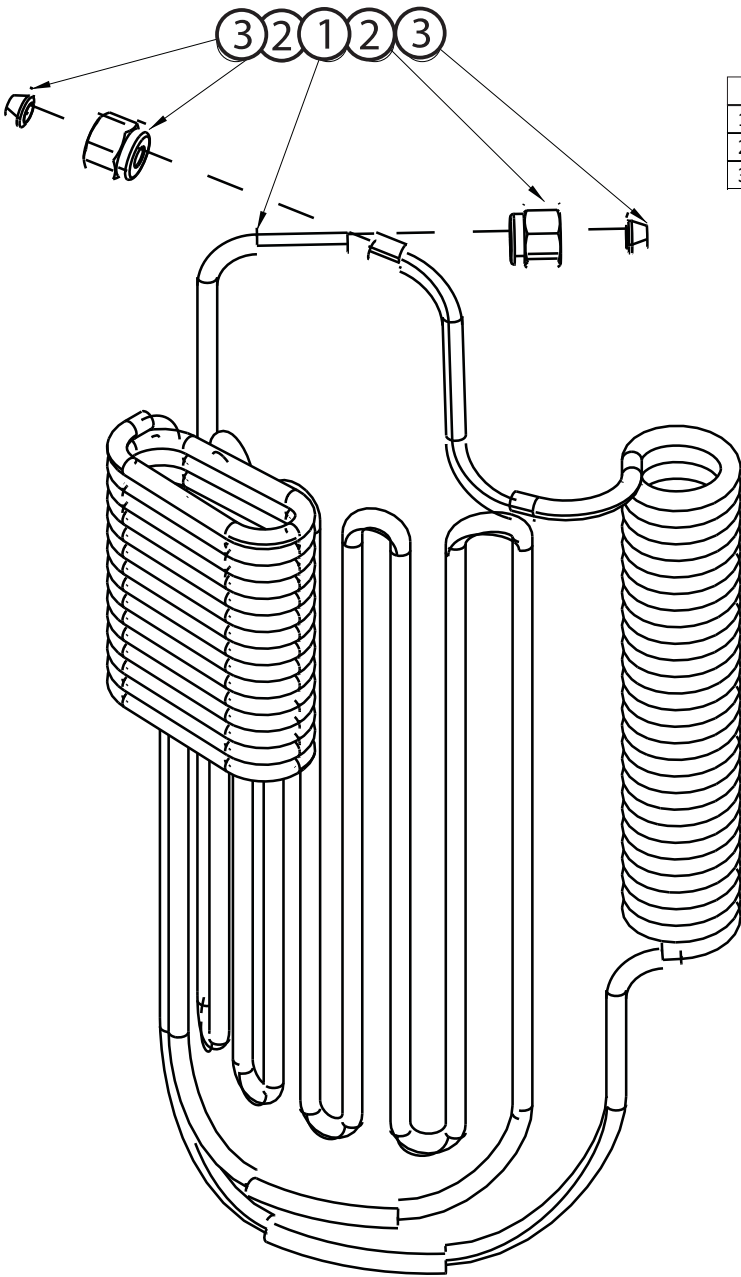
C-1000 Companion-T

	Man. Part #	Pioneer #	Description
1	B-775003-00	P232	Bezel
3	20592888	P213	Breathing Hose Adapter
4	B-775094-00	P290	Breathing Hose Adapter O-Ring
5	B-775859-FLO	P801	0-6 LPM Flow Control Valve
6	B-776168-00	P860	PB 12 Position Knob
7	B-775834-00	P851	0-6 LPM Number Disc
8	B-775075-00	P862	FCV Screw 6-32 x 3/8" SS
9	B-775877-00	P861	PB 12 Position Locking Plate
10	B-775097-00	P203	Strap
11	B-775001-00	P201	Side A
12	B-775002-00	P202	Side B
13	B-775005-00	P196	Bottle Screw SHCS, 6-32 x 1/4" SS
14	B-775318-00	P286	Bottle Screw Lock Washer #6
15	B-775008-00	P199	Long Screw SHCS, 6-32 x 2" SS
16	B-775286-00	P197	Short Screw SHCS, 6-32 x 7/8 SS
17	B-775007-00	P198	Medium Screw SHCS, 6-32 x 1 3/8" SS
18	B-775006-00	P198	Medium Screw SHCS, 6-32 x 1 1/4" SS
19	B-775092-00	P228	Nomex Condensation pad
20	CA403730	P699	Zip Ties
21	B-775010-00	P206	Rubber Foot
22	B-775037-00	P237	Manifold O-Ring
23	B-775009-00	P205	Clear Warning Decal
24	B-776574-00	P204	Upright Warning Decal
25	B-702097-SV	P290	C-1000 Bottle



Warming Coil Assembly

	Man. Part #	Pioneer #	Description
1	B-776869-00	P289	Warming Coil
2	B-775067-00	P208	3/16" Brass Nut
3	B-775068-00	P209	3/16" Brass Ferrule

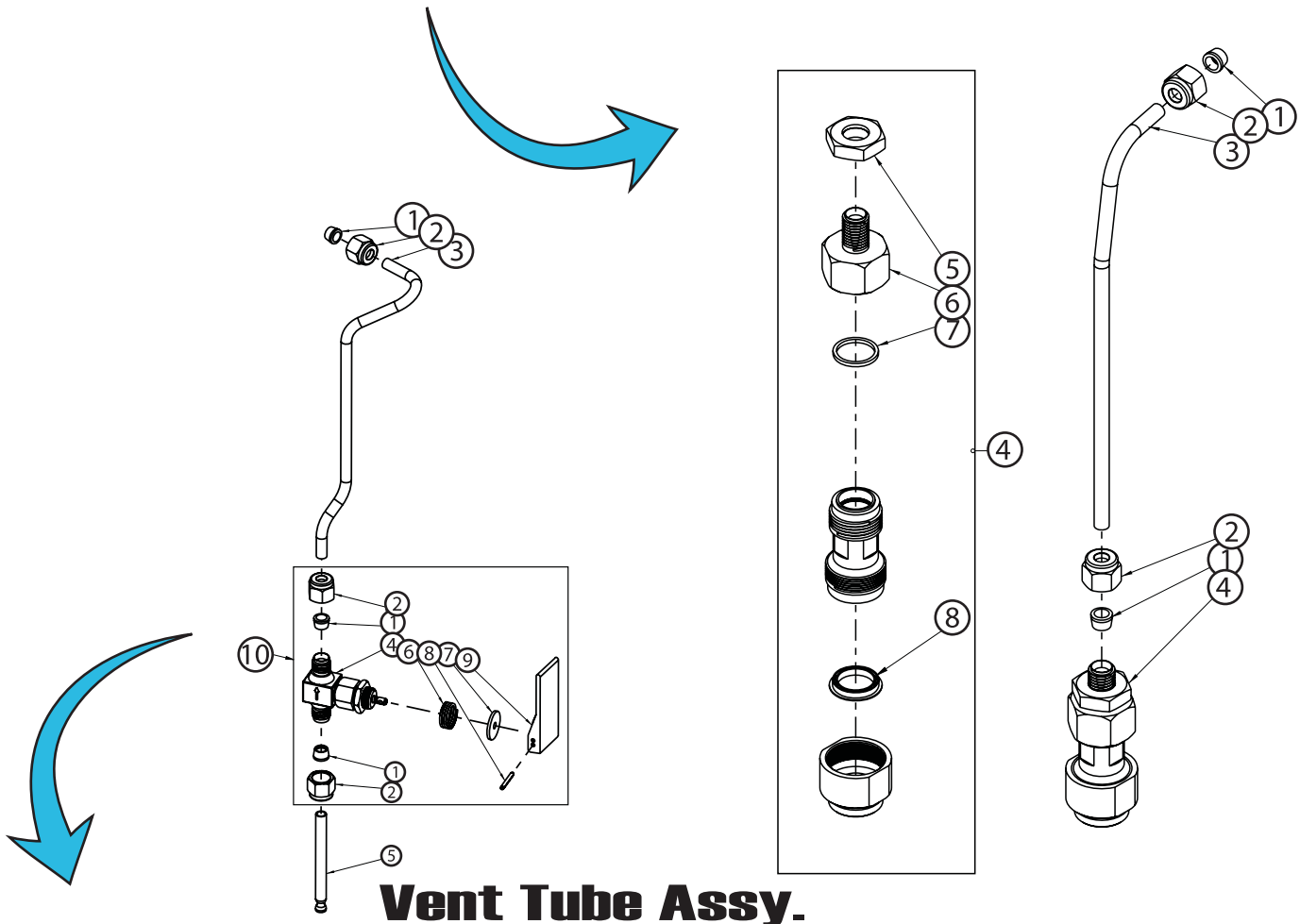


C-1000T Heat Exchanger Assy.

	Man. Part #	Pioneer #	Description
1	B-775068-00	P209	3/16" Brass Ferrule
2	B-775067-00	P208	3/16" Brass Nut
3	20534899	P291	Coil

Female Fill Tube Assy.

	Man. Part #	Pioneer #	Description
1	B-775063-00	P211	¼ "Brass Ferrule
2	B-775062-00	P210	¼" Brass Nut
3	B-775061-00	P220	Fill Tube
4	20553107	P216	Female Quick Connect
5	B-775261-00	P279	Quick Connect Nut
6	B-775263-00	P240	Quick Connect Top Only
7	10656071	P229	Quick Connect Seal
8	CA110104	P751	Metal Lip Seal

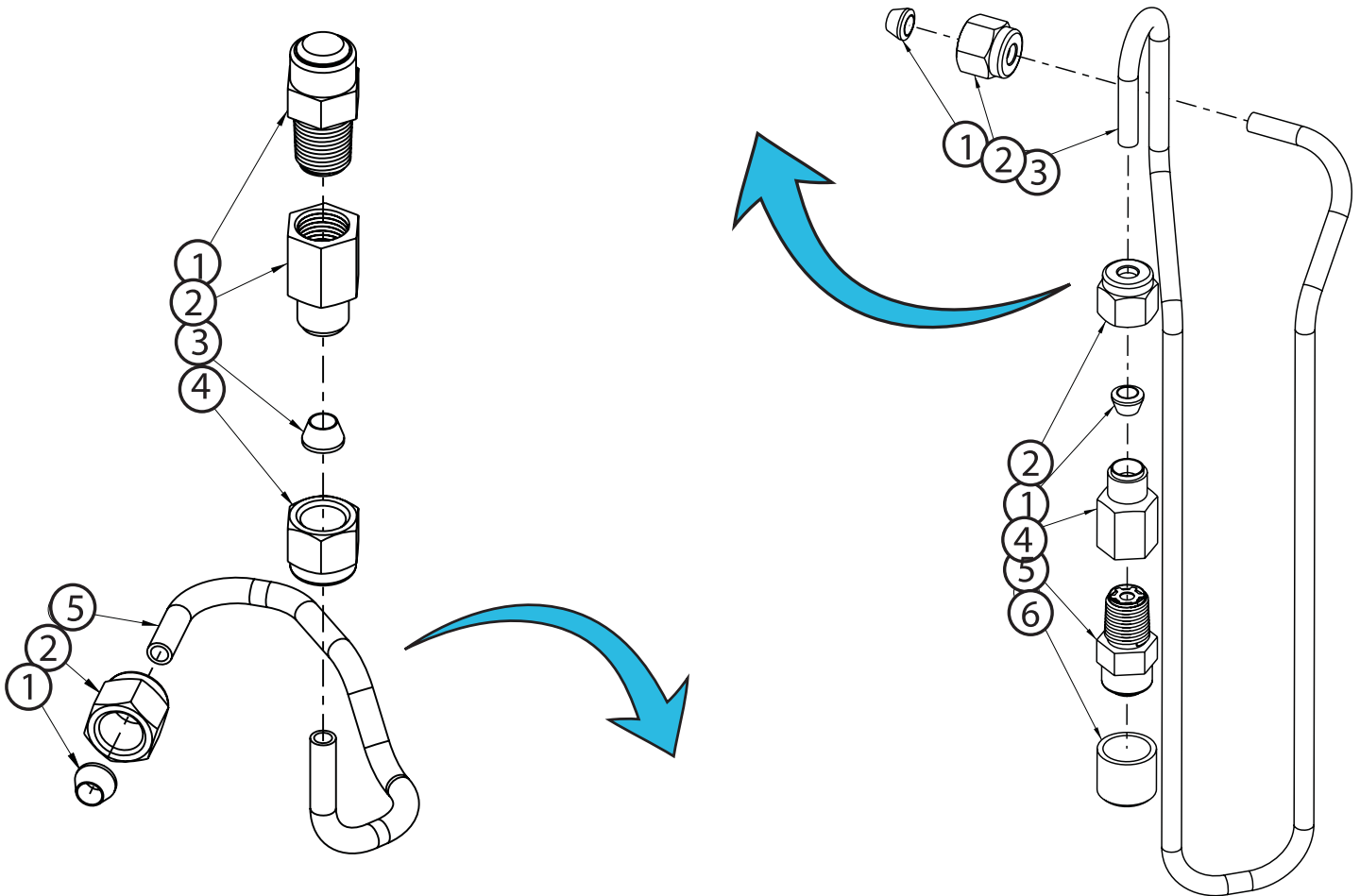


Vent Tube Assy.

	Man. Part #	Pioneer #	Description
1	B-775063-00	P211	¼ "Brass Ferrule
2	B-775062-00	P210	¼" Brass Nut
3	B-775086-00	P255	Vent Tube
4	B-775087-00	P245	Vent Valve
5	B-775087-00	P257	Vent Tube Extension
6	B-701303-00	P258	Vent Valve Spring
7	B-775088-00	P259	Vent Valve Spacer
8	B-775089-00	P260	Vent Lever Pin
9	B-775004-00	P252	Vent Lever
10	B-775243-00	P245	Vent Valve Assembly

Primary Relief Valve Assy.

	Man. Part #	Pioneer #	Description
1	B-775068-00	P209	3-16" Brass Ferrule
2	B-775067-00	P208	3/16" Brass Nut
3	B-776817-00	P288	Primary Tube
4	B-775078-00	P212	Relief Valve Adapter
5	B-776892-00	P214	Primary Relief Valve 22 PSI
6	B-776827-00	P218	Silencer



Secondary Relief Valve Assy.

	Man. Part #	Pioneer #	Description
1	B-775082-00	P215	Secondary Relief Valve 30 PSI
2	B-775078-00	P212	Relief Valve Adapter
3	B-775068-00	P209	3/16" Brass Ferrule
4	B-775067-00	P208	3/16" Brass Nut
5	B-775081-00	P287	Secondary Tube

Contents Gauge/Weight Mechanism

	Man. Part #	Pioneer #	Description
1	B-775029-00	P276	Contents Indicator Screws
2	B-775242-00	P275	Contents Indicator
3	B-775012-00	P235	Clear Lens
4	B-775014-00	P262	Weight Scale Needle
5	B-775027-00	P263	Weight Scale Spacers (Blue)
6	B-775018-00	P266	Weight Scale Lever
7	B-777505-00	P299	E-Ring
8	B-777507-00	P297	Weight Scale Shaft
9	B-777506-00	P298	Strap Pin
10	B-775024-00	P267	Weight Scale Plate
11	B-775038-00	P286	Manifold Spacers
12	B-775318-00	P268	Manifold Lockwasher #6
13	B-775023-00	P263	Weight Scale Spacer
14	B-775022-00	P269	Weight Scale Spring
15	B-775021-00	P270	Pin Spring
16	B-775028-00	P271	Hitch Pin
17	B-775011-SV	P219	Contents Indicator Assembly
18	B-775097-00	P203	Strap

