

HELIOS

H46/U46



HELIOS Reservoir

- ⚠ DO NOT SMOKES near this unit. Keep away from heat, flame or sparks.
- ⚠ Keep unit well ventilated at all times.
- ⚠ Do not touch heated parts.
- ⚠ Keep unit in upright position.
- ⚠ Read Patient Operating Instructions.



	B-701655-FLO	P818	External Mount Flow Control Valve 0-10 LPM
1	B-701002-00	P313	Shroud Screw – SS #1/4 – 8 x 1 ¼ "
2	B-700859-00	P512	Fill Connector Top Label
2	B-701528-00	P512	Fill Connector Top Label (US ONLY)
3	B-700855-00	P515	Front Shroud Label H36
3	B-700857-00	P515	Front Shroud Label H46
4	B-700858-00	P513	Flow Restriction Label
4	B-701533-00	P513	Flow Restriction Label (US ONLY)
5	B-701529-00	P514	Oxygen Diamond Label
6	B-701544-00	P519	Upper Shroud Label
7	10024301-SV	P509	Warming Coil Assembly
8	B-701546-00	P561	Condensation Bottle
9	B-701606-SV	P591	H36 Bottle
9	B-701659-SV	P593	H46 Bottle

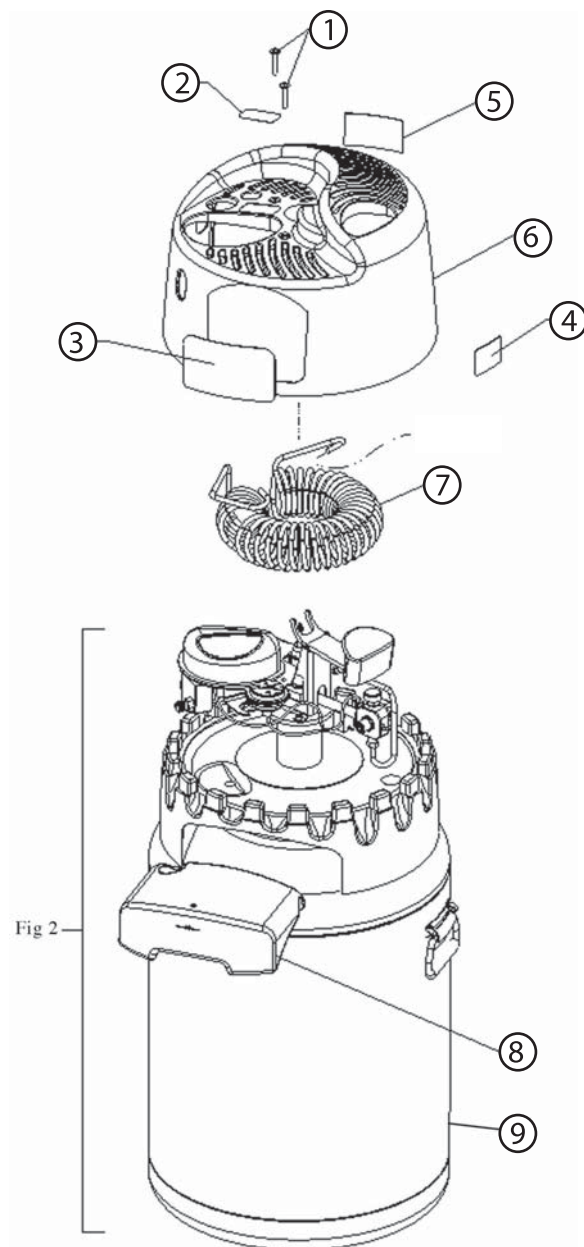
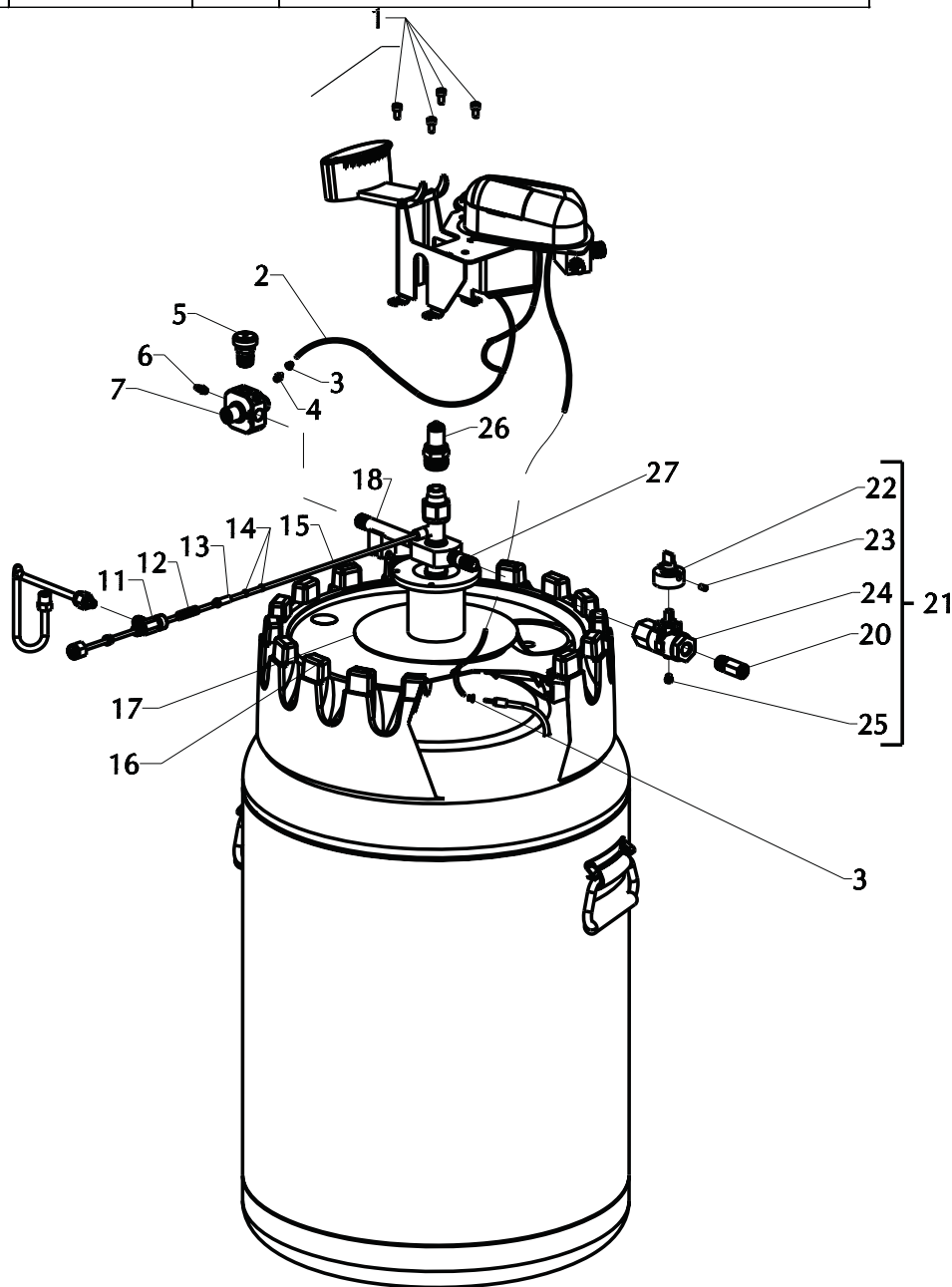


Figure 1: HELIOS Universal Reservoir

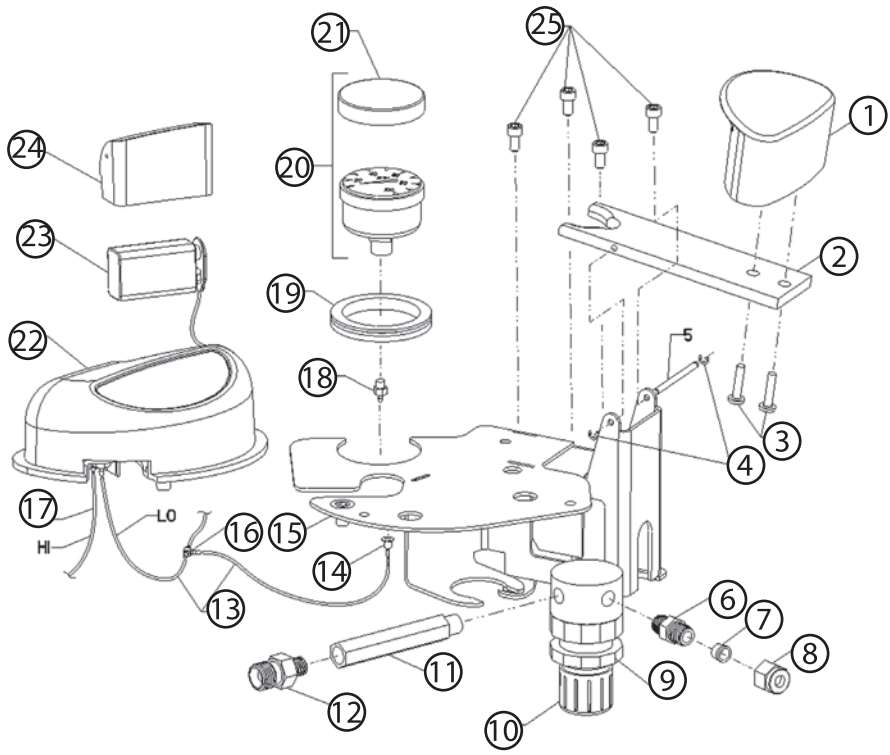
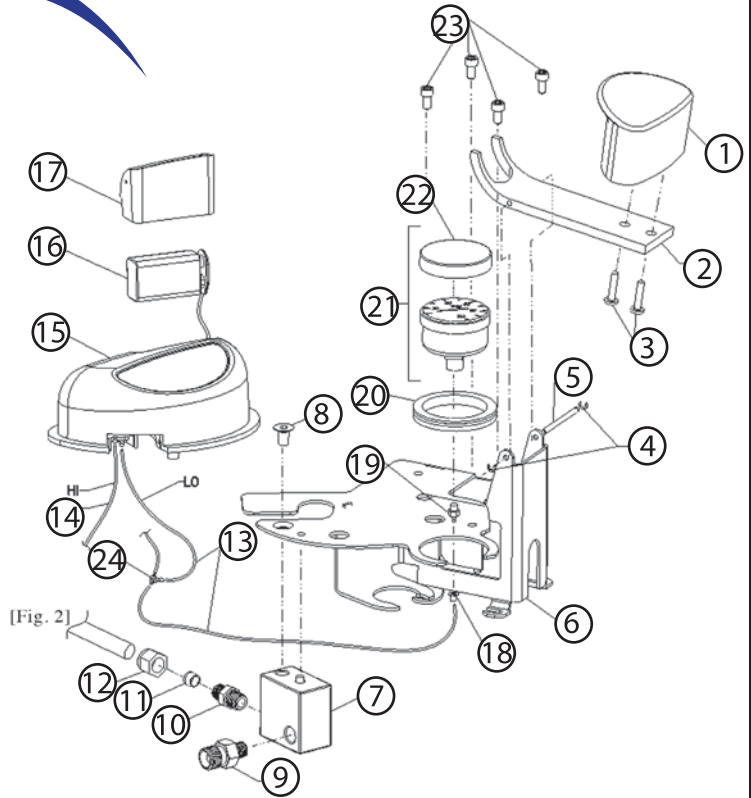


1	B-701635-00	P528	Socket Head Cap Screw #10-24 x 3/8"
2	B-701695-00	P529	Black Flexible Tube 12"
3	B-775794-00	P357	Press on Hose Clamp
4	B-778167-00	P530	Brass Barbed Fitting 1/16" x 10-32
5	B-776483-00	P527	70 PSI Secondary Relief Valve
6	B-778157-00	P531	Brass Barbed Fitting 1/8" x 10-32
7	B-701627-00	P540	Relief Economizer Valve
8	10023687-SV	P541	Economizer Tube Assembly
9	B-775265-00	P210	3/4" Brass Nut
10	B-775063-00	P211	3/4" Brass Ferrule
11	10024679	P508	Withdrawal Tee
12	B-776175-00	P507	Spring
13	B-701590-00	P506	Brass Ferrule 1/8"
14	B-701739-00	P505	O-Ring
15	B-775867-SV	P509	Teflon Withdrawal Tube 30"
16	10023692	P535	Manifold Extension Pipe
17	10025090	P517	Umbrella Seal
18	B-701543-00	P518	Lower Grey Shroud
20	B-701699-00	P570	Vent Valve Silencer
21	20580960	P580	Vent Valve Assembly
22	15102229	P571	Vent Valve Wrench Adaptor
23	B-702226-00	P794	Vent Valve Set Screw #8-32 Flat Point
24	10024963	P572	Vent Valve Base
25	10024825	P573	Screw Plug
26	15101621	P308	Male Quick Connect
27	B-702145-00	P574	Helios Pipe Nipple





1	B-701545-00	P543	Release Button
2	B-702106-00	P546	Release Lever
3	B-701524-00	P497	Torx Head Screw #8-16 x 3/4"
4	B-777505-00	P299	E-Ring
5	B-701634-00	P545	Pivot Shaft
6	10003034	P536	Reservoir Bracket
7	10023695	P548	Outlet Mounting Block
8	B702109-00	P549	Mounting Screw
9	B-702071-00	P550	DISS Fitting
10	10024680	P551	Tubing Connector
11	B-775063-00	P211	1/4" Brass Ferrule
12	B-775265-00	P210	1/4" Brass Nut
13	B-701583-SV	P529	Black Tube 3"
14	B-775794-00	P531	Press-On Hose Clamp
15	B-702207-00	P521	Contents indicator
16		P621	9 Volt Battery
17	B-701523-00	P598	Battery Door
18	B-775794-00	P531	Press-On Hose Clamp
19	B-778167-00	P530	Brass Fitting 1/16" x 10-32
20	B-701640-00	P552	Pressure Gauge Grommet
21	B-702076-00	P553	Pressure Gauge (0-100 PSI)
22	B-778807-00	P554	Pressure Gauge Lens
23	B-701635-00	P528	Socket head Cap Screw #10-24 x 3/8"
24	B-701526-00	P575	"T" Connector



1	B-701545-00	P543	Release Button
2	B-701633-00	P544	Release Lever
3	B-701524-00	P497	Torx Head Screw #8-16 x 3/4"
4	B-777505-00	P299	E-Ring
5	B-701634-00	P545	Pivot Shaft
6	10024680	P551	Tubing Connector
7	B-775063-00	P211	1/4" Brass Ferrule
8	B-775265-00	P210	1/4" Brass Nut
9	10004925	P587	Regulator Nut
10	B-701628-00	P586	Regulator
11	10023693	P547	DISS Extension
12	B-702071-00	P550	DISS Fitting
13	B-701583-SV	P529	Black Tube 3"
14	B-775794-00	P531	Press-On Hose Clamp
15	B-701632	P583	Reservoir Bracket
16	B-701526-00	P575	"T" Connector
17	B-701694-SV	P529	Red Flexible Tube 15"
18	B-778167-00	P530	Brass Fitting 1/16" x 10-32
19	B-701640-00	P552	Pressure Gauge Grommet
20	B-702076-00	P553	Pressure Gauge 0-100 PSI
21	B-778807-00	P554	Pressure Gauge Lens
22	B-702207-00	P521	Contents Indicator
23		P621	9 Volt Battery
24	B-701523-00	P598	Battery Door
25	B-701635-00	P528	Socket head Cap Screw #10-24 x 3/8"

